

EasyAwn™ Installation, Care and Maintenance Manual



EasyAwn, LLC

Toll Free: 877-EasyAwn
<http://www.EasyAwn.com>

READ AND SAVE THESE INSTRUCTIONS!

EasyAwn™ Quarter Round Awning Installation

Congratulations – You have made an excellent decision in choosing an EasyAwn Do-it-Yourself awning. EasyAwn uses innovative designs and quality materials to make your awning easy to install and ensure a long life.

Please take a minute and become familiar with this entire document BEFORE beginning your installation. This will ensure a quick, trouble-free installation

Basic Tools Needed for Installation

Tape Measure & Pencil
Drill
Drill Bits (Depends on Surface)
Adjustable Wrench

Level (recommended)
Screwdriver
Ladder

General Comments

- Wash your hands before installation and be sure they are clean when handling the fabric.
- Always be careful with the fabric during installation. Drills, screwdrivers and other items can puncture the fabric. This and other customer installation damage is not covered by the warranty.
- A second person to assist in holding the awning up and the fabric back when installing your awning is recommended
- Take your time when planning to install your new awning. Although simple to install, take your time to ensure a proper installation.

IMPORTANT!

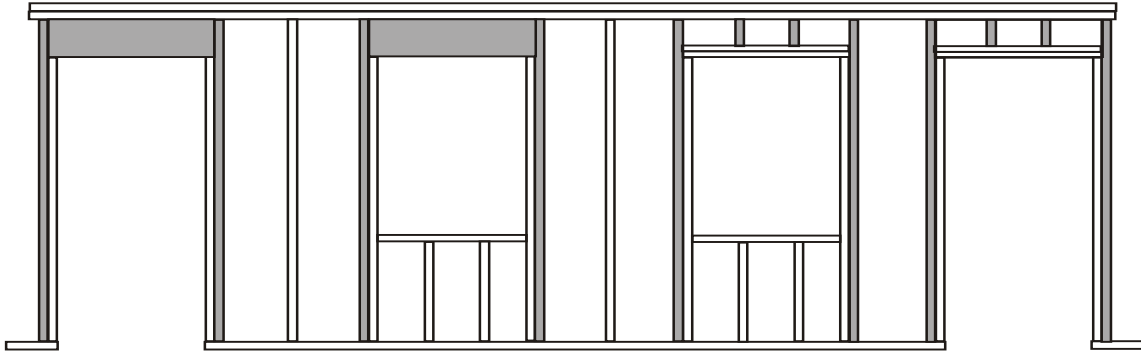
If you need replacement parts or hardware for installation, please do not return your awning to the store or dealer. We will promptly provide these to you at no charge.

Call 877-EasyAwn or 877-327-9296

Planning and Layout of the Installation Location

The first step in installing your EasyAwn™ is to determine where you will mount the awning. It should be installed level and centered over the window or door. **If the door or window opens outward, the awning must be high enough to provide clearance when the door or window is in the open position.** Note: In some cities and counties there are building codes that specify how awnings can be mounted.

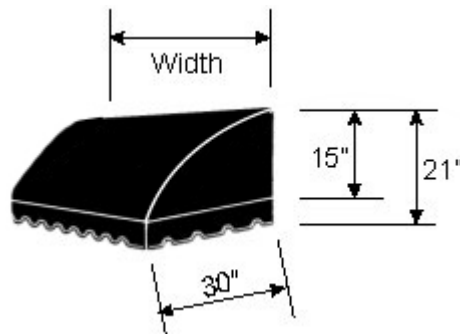
Determine where you will be mounting the awning and refer to the figure below for typical locations of studs and headers. The framing members outlined in Gray will provide an appropriate anchoring point for the fasteners.



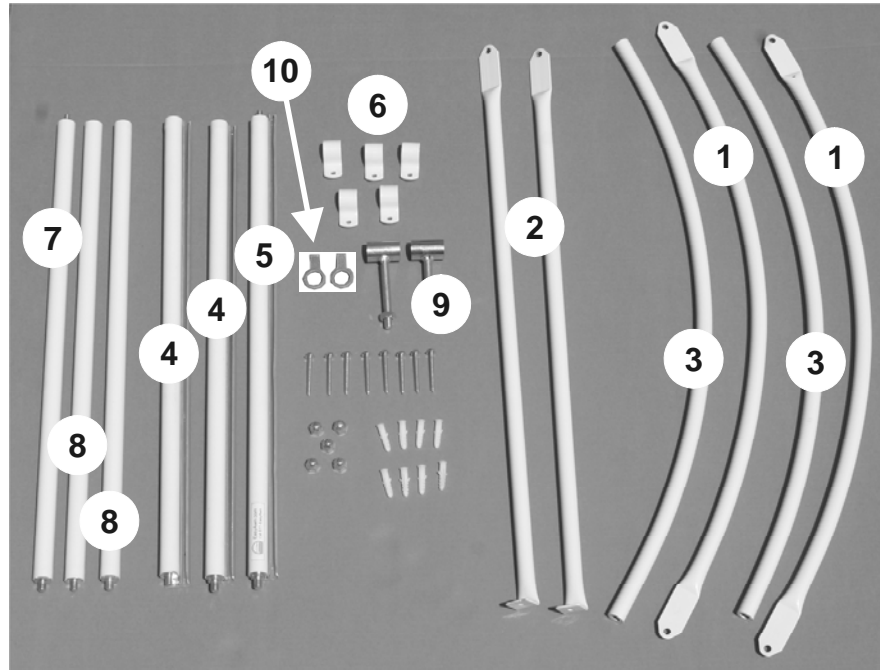
On masonry walls drill and insert anchors for the mounting screws. For other surfaces, locate the studs for anchoring the supplied screws.

- If the locations of the predrilled holes do not match your stud locations, drill new ¼" holes in the back bar of the frame to match your stud locations.
- If you have planking or another thick surface over the framing, you may need to use longer screws than those supplied to ensure a secure fastening.
-

Dimensions and List of Parts



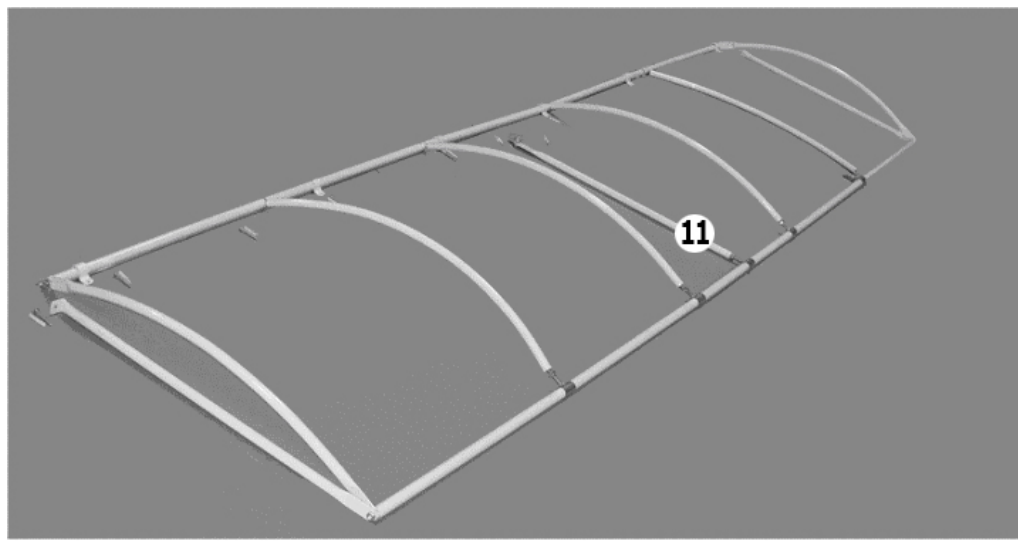
See the list of parts in the figure below. Become familiar with each part before you begin.



Item	Description
1	Rafter
2	Return Arm
3	Center Brace – 8-12' Only
4	Back Bar
5	Back Bar Center – 8-12' Only
6	Clamps

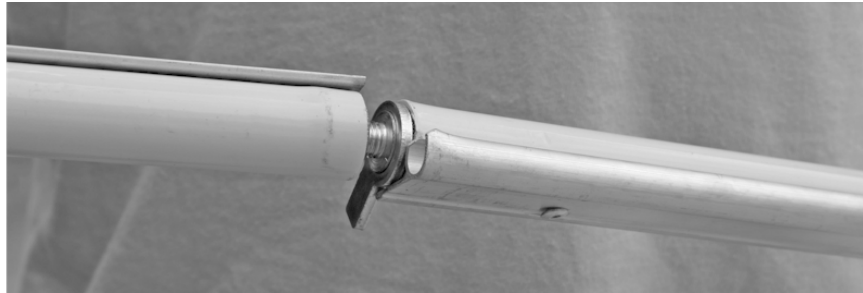
7	Front Bar Center – 8' -12' Only
8	Front Bar
9	Rafter Tensioner
10	Rafter Pin
11	Center Return Arm – 8-12' Only
	(Item 11 is shown below)

Assembled Awning without the Fabric (For reference only, fabric is attached during the installation and the frame is assembled during the installation.)



Assembly and Mounting of your EasyAwn

Assemble the back bar pipes (they are in 2' sections) and include a rafter pin between each section as show below. Screw together snugly and align the aluminum channel so the fabric can run through the track from one end of the awning to the other.



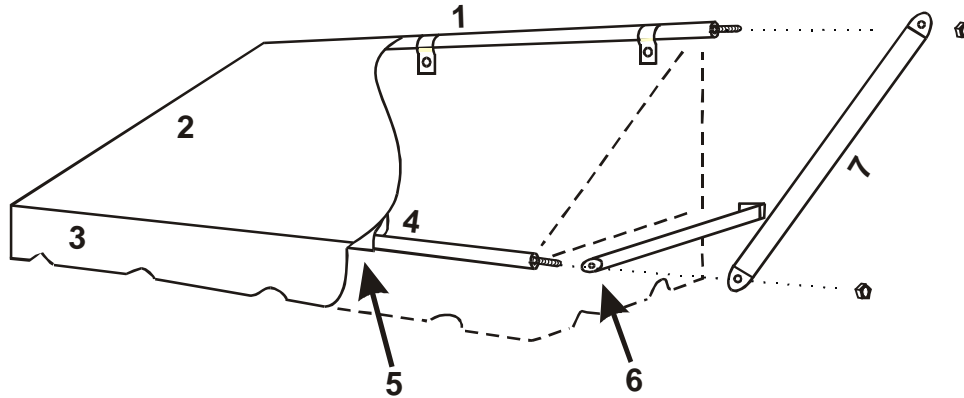
Position the back bar to the correct height above the window or door. Mark the center of the window or door to make sure the awning is centered. For 10' and 12' awnings there is a return are that should be mounted at least 6 inches below the back bar to keep the front bar level. Attach with clamps and hardware keeping the back bar level.



Ensure the back bar is level and fasten the clamps tightly to the wall.

NOTE: Many customers prefer to assemble the entire awning on the ground and then mount the awning to the wall. Either way is an acceptable installation process.

Review the completed EasyAwn™ assembly as shown below (Classic shown for illustration).



Item	Description
1	Back Bar
2	Cover
3	Valance
4	Front Bar

Item	Description
5	Pocket
6	Return Arm
7	Rafter
8	Center Return Arm (not shown)

Slide the rope sewn into the back edge of the cover into the back bar on the wall. You may need to use a screwdriver to slightly open the channel at each section if the fabric catches on the edges.

Assemble the front bar and slide it into the front pocket of the cover. **A rafter tensioner should be installed between each front bar section.** On the 8' & 12' awnings the center return arm will be on a center rafter. **NOTE: On the 8', 10' & 12' Wide EasyAwn Quarter Round Awnings there is a center return arm. Make sure the threaded rafter holder is above and the tab with the hole in it is below the front bar when you insert it into the cover on the 8' and 12' foot awning only. The 10' awning comes with the threaded rafter holder tacked onto the front bar.**



Bracket for use with the 8' & 12"awning



Bracket for use on the 10' awning

Hold the front bar out from the wall so the rafter is level to the ground to loosen the fabric. Install a round end rafter (Item 1) connecting the back bar to the front bar. Raising the front bar to the same height as or above the back bar may be required. A second person to hold the front bar out and level may be needed on larger awnings.

Loosely fasten a nut at each end of the back bar to hold the rafter in place.

- **DO NOT TIGHTEN THE NUTS ON THE ENDS OF THE FRONT AND BACK BAR UNTIL THE INSTALLATION IS COMPLETED.**

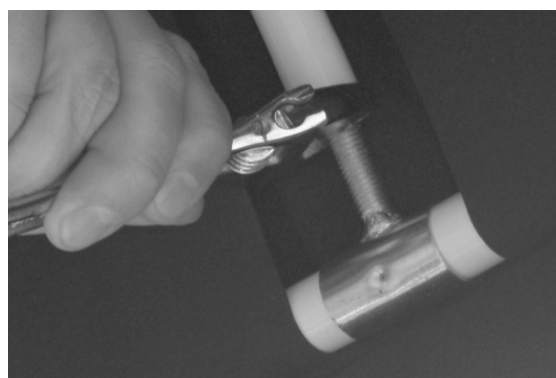
Repeat the above step for the rafter on the opposite end of the awning.

Slide the return arm into the pocket on the side panel of the awning. Make sure the tab for mounting the return arm to the wall is facing to the inside of the awning. Loosely fasten a nut at the end of the front bar to hold the rafter and return arm in place.



Level the return arms but do not fasten the end of the return arms to the wall until after the center rafters are installed.

Install Center Rafters – First insert one end of the rafter into the rafter pin and rotate the rafter tensioner into the opposite end of the rafter. Snug each bolt by hand to prevent the rafter from coming out.



Fasten Return Arms to the Wall - Pull the return arms down firmly to further the fabric before fastening. The last step is to tighten the frame bolts and fabric tensioner bolts to tension the fabric.

Install Center Return Arm – 12' EasyAwn Only: Attached the end of the center rafter to the front bar and the bracket to the rear of the return arm as shown below. You can mount the bracket anywhere 6" below the back bar to 12' below the front bar but if possible it should be mounted level with the other return arms. Adjust the nut so the center of the front bar is level from side to side.



Congratulations - Your EasyAwn™ installation is now complete! If you would like a waterproof seal at the wall, use a non-adhesive caulk to seal the aluminum channel to the wall. This is not recommended if you will be removing the awning each season.

Please send us a picture of your completed project and we will be happy to add them to our website.

Thank you again for your business and contact us if we can be of assistance in any way.

Care and Maintenance

Keep your EasyAwn™ looking great by hosing off the Sunbrella™ fabric on a monthly basis. This will help prevent dirt from embedding in the fabric and reduce the need for thorough cleanings. In most environments, a thorough cleaning will be needed every two to three years with the EasyAwn™ fabric on the awning frame or removed for cleaning in your washing machine.

When cleaning your EasyAwn™ on the frame, follow these simple steps:

- Brush off loose dirt.
- Hose down.
- Prepare a cleaning mixture of water and mild, natural soap (no detergents).
- Use a soft bristle brush to clean.
- Allow soap to soak in.
- Rinse thoroughly.
- Air dry.

If you are removing the cover and using a washing machine, these steps should be followed:

- Use only natural soaps. No detergent.
- Wash and rinse in cold water.
- Air dry. **Never put EasyAwn™ fabrics in your dryer.**

After a thorough cleaning, EasyAwn™ fabrics should be treated to re-establish water repellency. Your EasyAwn™ fabric is treated with fluorocarbon-based water repellency chemicals during manufacturing, and it is recommended that a retreatment with ScotchGard® or similar product is done following cleanings.

General Care Tips

- **Keep trees and shrubs trimmed back from all canvas awnings**
- **Do not use harsh chemicals or bleaches for cleaning.**
- **Insect repellents and other chemicals can damage the fabric**
- **Do not hang from the awning, it will damage the fabric and the frame**
- **Remove awnings for painting**
- **Snow accumulation can stretch or tear the fabric**
- **Remove awnings during snow conditions**
- **Do not let water pool on the fabric.**

Limited Warranty

If you are installing your EasyAwn™ on a commercial building or in another area restricted by building and zoning regulations, contact your local building officials prior to installing your EasyAwn™ to ensure you will comply with local regulations. Many homeowners associations also require approval prior to making any exterior home improvement and should be consulted prior to installation.

EasyAwn, LLC is committed to customer satisfaction and we offer a reasonable money back guarantee if you are not satisfied with your EasyAwn™. This is limited to awnings returned within 30 days of shipment and must not be damaged. **Happy customers are the best salespeople we have** and we are always fair with our satisfaction guarantee.

EasyAwn, LLC warrants this product against defects in materials and workmanship on a prorated basis for a period of five years from the date of original purchase. EasyAwn, LLC agrees to either repair the product or replace it, at the sole discretion of EasyAwn, LLC. This warranty does not include any costs associated with the physical installation, removal or return of this product.

Only the original purchaser of this product is extended this warranty. No warranty work will be provided under this warranty without the purchaser's receipt or other proof of the date of purchase.

EasyAwn, LLC's warranty covers product failure due to defects in material or workmanship only. It does not cover corrosion or discoloration, or product failure due to misuses, abuse, faulty installation, alteration, lack of reasonable care, or any other failure not related to defects in materials or workmanship.

There are no other warranties except those stated above.

EasyAwn, LLC shall not be liable for incidental, special or consequential damage resulting from the use of the product or arising out of any breach of this warranty. All implied warranties, if any, including implied warranties of merchantability and fitness for a particular purpose, are limited in duration to the length of this express warranty.

Some states do not allow the exclusion or limitation of incidental or consequential damages, or limitations on how long an implied warranty lasts, so the above exclusions or limitations may not apply to you. No other warranty, written or verbal, will be honored for this product. This warranty gives you specific legal rights and you may also have other rights, which vary from state to state.

EasyAwn, LLC is not responsible for damage of merchandise in transit. Repaired or replaced products shall be subject to the terms of this warranty and are inspected prior to return shipment. Damages that are incurred during transit should be reported at once to the carrier and a claim should be filed with them.

For assistance with this product or to obtain warranty services, call EasyAwn, LLC's Customer Service Department 8:00 – 5:00 Eastern Standard Time toll free at 877-EasyAwn. Please have the product's model number and date of purchase when you call to avoid delays.

We appreciate your purchase of this EasyAwn™. We have made every effort to supply a high quality product that insures trouble free service for many years. Please contact us if you have any questions, concerns or if we can be of help in any way.

EasyAwn, LLC
Toll Free: 877-EasyAwn
www.EasyAwn.com
Email: info@easyawn.com